



# ON-VEHICLE MICRO BRAKE PIPE FLARING TOOL 3/16" SAE

MODEL NO: **PFT12**

Thank you for purchasing a Sealey product. Manufactured to a high standard, this product will, if used according to these instructions, and properly maintained, give you years of trouble free performance.

**IMPORTANT:** PLEASE READ THESE INSTRUCTIONS CAREFULLY. NOTE THE SAFE OPERATIONAL REQUIREMENTS, WARNINGS & CAUTIONS. USE THE PRODUCT CORRECTLY AND WITH CARE FOR THE PURPOSE FOR WHICH IT IS INTENDED. FAILURE TO DO SO MAY CAUSE DAMAGE AND/OR PERSONAL INJURY AND WILL INVALIDATE THE WARRANTY. KEEP THESE INSTRUCTIONS SAFE FOR FUTURE USE.



Refer to instruction manual

## 1. SAFETY

- WARNING!** Ensure Health & Safety, local authority and general workshop practice requirements are adhered to when using this equipment. Familiarise yourself with the application and limitations, as well as the potential hazards of the set.
- ✓ This set is suitable for steel pipe.  
Maintain the set in good condition.
- ✓ Replace or repair damaged parts. Use genuine parts only. Unauthorised parts may be dangerous and will invalidate the warranty.
- ✓ Locate the flaring set in a suitable work area, keep the area clean and tidy and ensure there is adequate lighting.
- WARNING!** Always wear approved eye or face protection when using the flaring tools.
- ✓ Keep children and unauthorised persons away from the working area.
- ✗ **DO NOT** use the set for any purpose other than for which it is designed.
- ✗ **DO NOT** use the set if any parts are damaged or missing as this may cause failure and/or personal injury.
- ✗ **DO NOT** allow untrained persons to use the set.
- ✗ **DO NOT** attempt to flare piping when you are tired, under the influence of alcohol, drugs or intoxicating medication.
- ✓ When not in use clean set components, replace in case and store in a safe, dry, childproof area.
- WARNING!** The safe operation of a vehicle, or other equipment, may well depend on the quality of the flare produced. Discard any flare which is mis-formed.
- WARNING!** The warnings, cautions and instructions discussed in this manual cannot cover all possible conditions and situations that may occur. It must be understood that common sense and caution are factors which cannot be built into this product, but must be applied by the operator.

## 2. INTRODUCTION

Produces accurate automotive SAE flares on 3/16" pipes. Lightweight body makes it ideal for splicing in replacement sections of brake pipe on-vehicle. Suitable for copper, cupro-nickel and steel pipes.

## 3. SPECIFICATION

Model No:..... **PFT12**  
Contents: .....3/16" SAE

## 4. OPERATION

- WARNING!** Ensure you are familiar with the various types of flare before using this equipment.
- WARNING!** Before using the flaring kit, ensure that you have read and understood the 'Safety Instructions' in Section 1.

### 4.1. PREPARATION OF THE BRAKE PIPE

4.1.1. The end of the pipe must be cut square.

4.1.2. The outside edge of the pipe must be chamfered to approximately 0.25mm x 45°.

**IMPORTANT:** If the pipe is plastic covered, this must be cut back for 6mm from the end of the pipe to be flared. Ensure the pipe is not scored or any metal removed during this operation. **DO NOT** use an abrasive cloth.

**IMPORTANT:** If the pipe is painted it is recommended that the paint be removed for the length of the die by a chemical paint remover, not an abrasive cloth. Observe all manufacturers' precautions when using chemical paint remover. Finally remove any grease present. These two operations will improve the die jaw grip whilst flaring.

### 4.2. CREATION OF 3/16" SAE SINGLE FLARE

4.2.1. Use the SAE tool, stop and double ended punch as shown in fig.1.

4.2.2. The stop must be screwed into the tool to within 5mm of the hexagon.

4.2.3. Slide the tool onto pipe.

4.2.4. Tighten the locking screws by hand, just enough to grip the pipe.

**IMPORTANT: DO NOT** over tighten at this stage or the stop will damage the pipe.

4.2.5. Screw the stop into the tool until fully tightened. (A 16mm ratchet spanner is recommended, but not included.)

4.2.6. Tighten the locking screws fully to clamp the pipe. (A 10mm ratchet spanner is recommended, but not included.)

**IMPORTANT: If the locking screws are not tight enough then the pipe will push back during the flare process and will not produce the correct flare.**



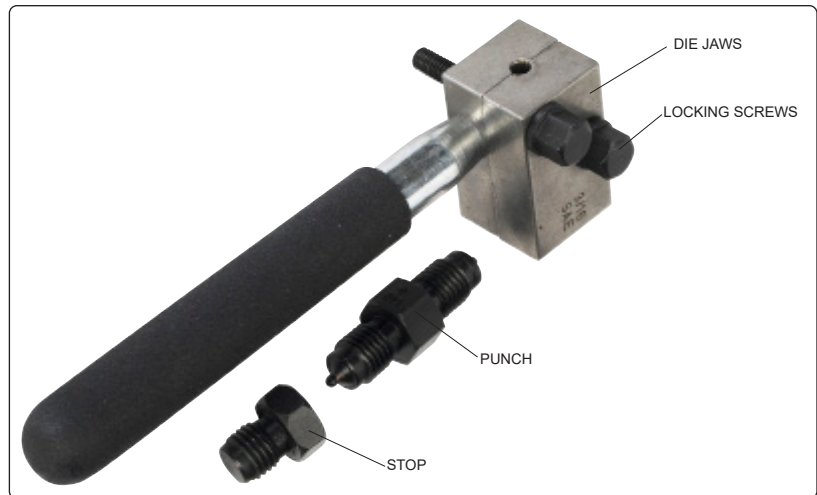
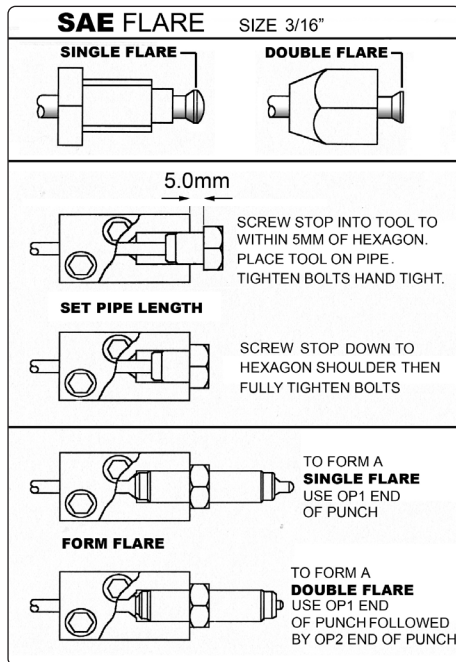
fig.1

- 4.2.7. Undo and remove the stop.
- 4.2.8. Insert the OP1 end punch and tighten fully up to the hexagon in order to form the flare.
- 4.2.9. Unscrew the punch. The single flare is now complete.
- 4.2.10. Undo the locking screws and remove the tool from the pipe.

**4.3. CREATION OF 3/16" SAE DOUBLE FLARE**

- 4.3.1. Firstly follow steps 4.2.1 to 4.2.10. to form a single flare.
- 4.3.2. Reverse the punch and insert the OP2 end into the tool and fully tighten up to the hexagon in order to form the flare.
- 4.3.3. Unscrew the punch.
- 4.3.4. Undo the locking screws and remove the tool from the pipe. The double flare is now complete.

**Note:** A spot of grease on the end of the punch helps the flare process.



**ENVIRONMENT PROTECTION**

Recycle unwanted materials instead of disposing of them as waste. All tools, accessories and packaging should be sorted, taken to a recycling centre and disposed of in a manner which is compatible with the environment. When the product becomes completely unserviceable and requires disposal, drain any fluids (if applicable) into approved containers and dispose of the product and fluids according to local regulations.



**WEEE REGULATIONS**

Dispose of this product at the end of its working life in compliance with the EU Directive on Waste Electrical and Electronic Equipment (WEEE). When the product is no longer required, it must be disposed of in an environmentally protective way. Contact your local solid waste authority for recycling information.

Note: It is our policy to continually improve products and as such we reserve the right to alter data, specifications and component parts without prior notice.

Important: No Liability is accepted for incorrect use of this product.

Warranty: Guarantee is 12 months from purchase date, proof of which is required for any claim.

**Sealey Group, Kempson Way, Suffolk Business Park, Bury St Edmunds, Suffolk. IP32 7AR**



01284 757500



sales@sealey.co.uk



www.sealey.co.uk